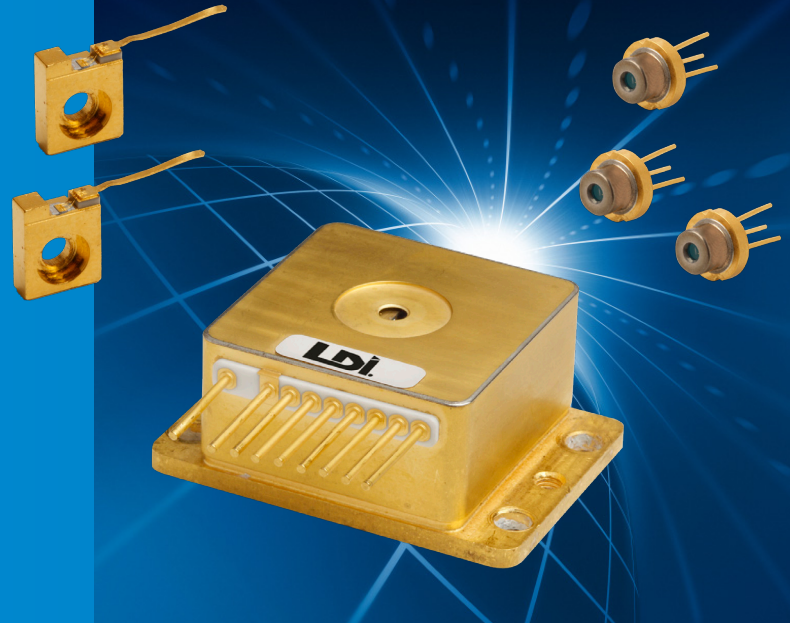


- 0.5 - 7 Watts
- High Efficiency Devices
- Multiple Package Options
- High Reliability/Long Life
- Aluminum Free

• Applications:

- Diode Based Medical Systems
- Diode Pumped Solid State Lasers
- Analytical Equipment
- Illuminators
- Reprographics
- Laser Initiated Ordnance



OSI Laser Diode Inc.'s series of **High Power CW** products is offered with an output range from 0.5 Watts to 7.0 Watts. These devices have a standard wavelength of 805nm +/- 5nm with a spectral width of 2.5 nm FWHM.

Specifications and Limits @ 25°C

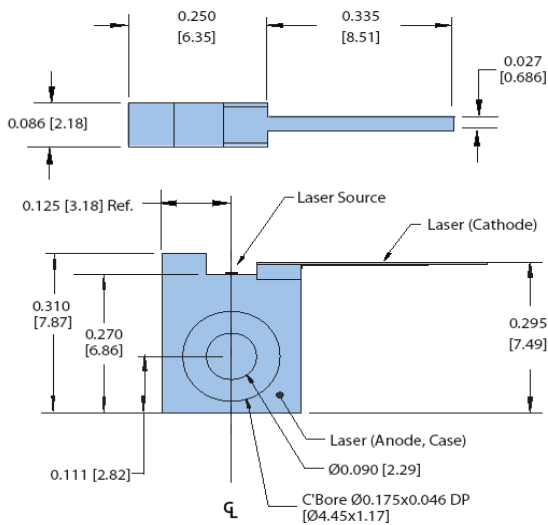
Common Characteristics	Units	Min	Typ	Max
Peak Wavelength	nm		805	
Peak Wavelength Tolerance	nm		+/-5	
Special Width (50% Points)	nm		2.5	
Rise/Fall Times	ns		1.0	
Far Field Beam Divergence	deg		12 x 40	
Efficiency at I _f	%		40	
Operating Temperature	°C	-20		+30
Storage Temperature	°C	-40		+85

Single Diode Lasers: Laser Characteristics

Series	Power (watts)	Source Size (µm)	Typical I _{th} (amps)	Max Current (amps)	Typical V _f (volts)
CW 0500	0.5	50	0.27	0.75	2.0
CW 1000	1.0	100	0.47	1.5	2.0
CW 2000	2.0	200	0.82	3.0	2.0
CW 5000	5.0	460	1.8	6.5	2.0
CW 7000	7.0	460	1.8	7.7	2.0

Package Drawings

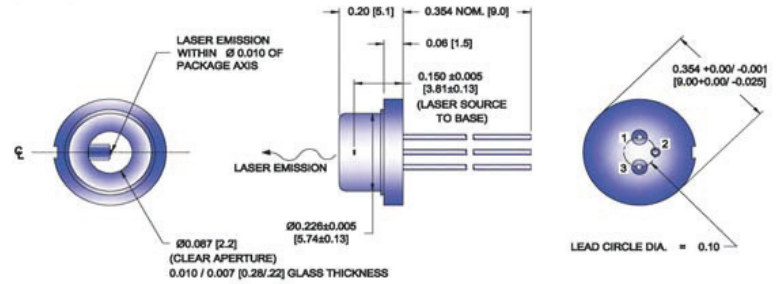
C-Mount Package



9 mm Package

PINOUT

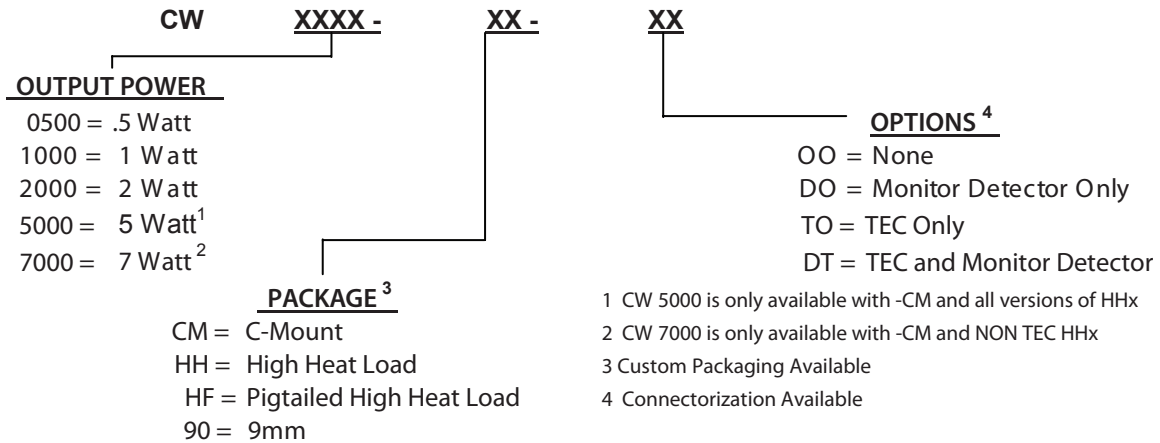
Description	PIN 1	PIN 2	PIN 3
CW	Laser Cathode (-)	Laser Anode (Case +) Detector Cathode if used	Detector Anode (+) if used



Other package options available. Standard fiber length is 1 meter +/- 0.1 meter.

Ordering Information

When ordering, refer to the information below



Note: Not all options are available for all packages. Please contact your Sales Representative.

Products can be ordered directly from OSI Laser Diode Inc. or its representatives.
For a complete listing of representatives, visit our website at
www.laserdiode.com

Safety:

Caution: Laser light emitted from any diode laser may be harmful to the human eye. Avoid looking directly into the diode laser aperture when the device is in operation.

Class 4 laser

Notice:

OSI Laser Diode Inc. reserves the right to make changes to the products or information contained herein without notice. No liability is assumed as a result of their use or application.

ESD Caution:

Handle diode lasers with extreme care to prevent electrostatic discharge. Follow ESD precautions when handling devices.

Warranty:

Please refer to your product purchase agreement for complete details or check with your OSI Laser Diode sales representative.