

EPIGAP Optronik GmbH

Koepenicker Str. 325b
 D-12555 Berlin
 Fon: +49 (0)30 657637 60
 Fax: +49 (0)30 657637 70
 sales@epigap-optronic.de

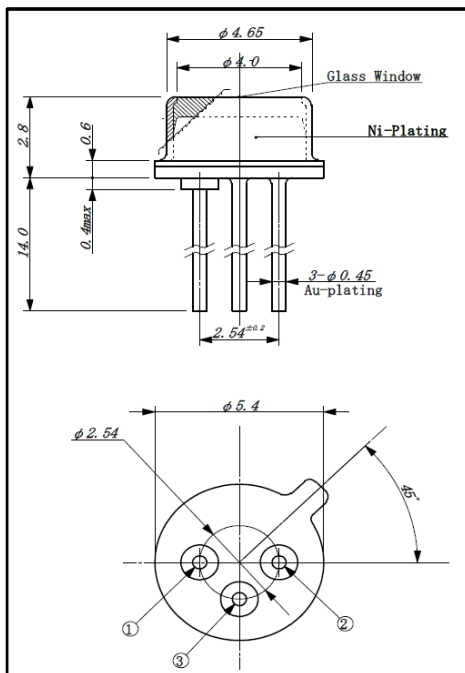


Data Sheet

Infrared photodiode

EOPD-1300-0-1.0-1

Spectral range	Type	Case
Infrared	PIN - InGaAs	TO-46 metal can, glass window cap



①Case ②Cathode ③Anode

Features:

- High speed response (max. 100 Mbps)
- High reliability
- High sensitivity

Applications:

- High speed optical communications
- Optical LAN
- Optical switches
- Ethernet fiber channel

All dimensions in mm, tolerance: ± 0.2

Electro-optical characteristics:

$T_{amb} = 25^{\circ}\text{C}$, unless otherwise specified

Parameters	Symbol	Min	Typ	Max	Unit	Test conditions
Active area size			$\varnothing 1.0$		mm	
Sensitivity range	λ	800		1750	nm	$V_R = 0 \text{ V}$
Dark current	I_D			2	μA	$V_R = 2 \text{ V}$
Junction capacitance	C_j		60		pF	$V_R = 0 \text{ V}$
Photocurrent @ 1300 nm	I_{PH}		150		μA	$V_R = 5 \text{ V}$, $E_e = 1 \text{ mW/cm}^2$
Breakdown voltage	V_{BR}	5			V	$I_R = 10 \mu\text{A}$

Absolute maximum ratings

Parameters	Min	Max	Unit
Operating temperature	-40	+85	$^{\circ}\text{C}$
Storage temperature	-40	+125	$^{\circ}\text{C}$



We reserve the right to make changes to improve technical design and may do so without further notice. Parameters can vary in different applications. All operating parameters must be validated for each customer application by the customer.

EPIGAP Optronik GmbH

Koepenicker Str. 325b
D-12555 Berlin
Fon: +49 (0)30 657637 60
Fax: +49 (0)30 657637 70
sales@epigap-optronic.de

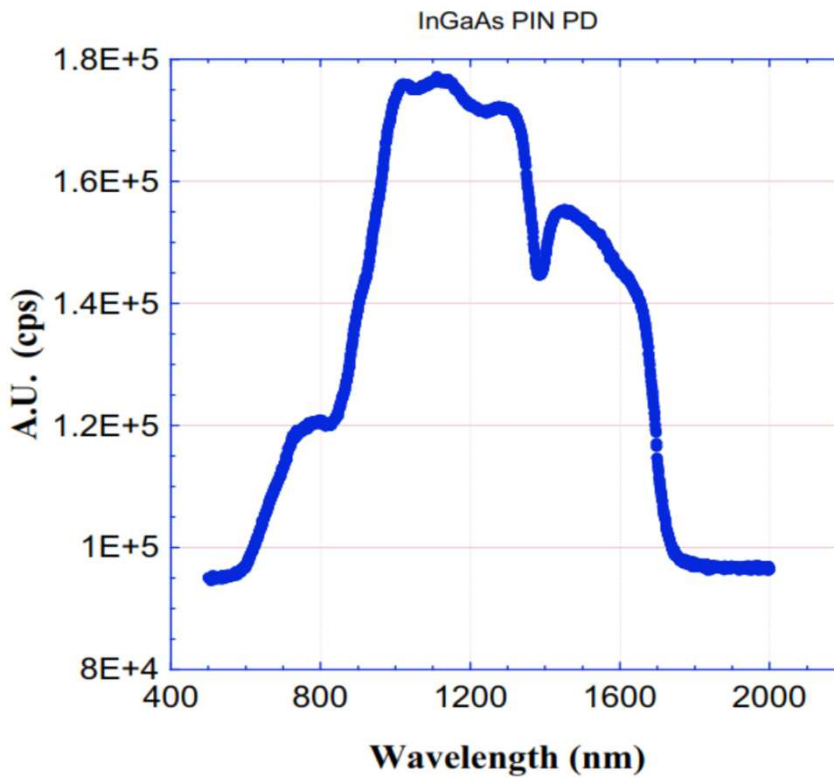


Data Sheet

Infrared photodiode

EOPD-1300-0-1.0-1

Page 2 of 2
Rev. 02, 2016



Typical spectral response

Art. No. 143 051



We reserve the right to make changes to improve technical design and may do so without further notice. Parameters can vary in different applications. All operating parameters must be validated for each customer application by the customer.