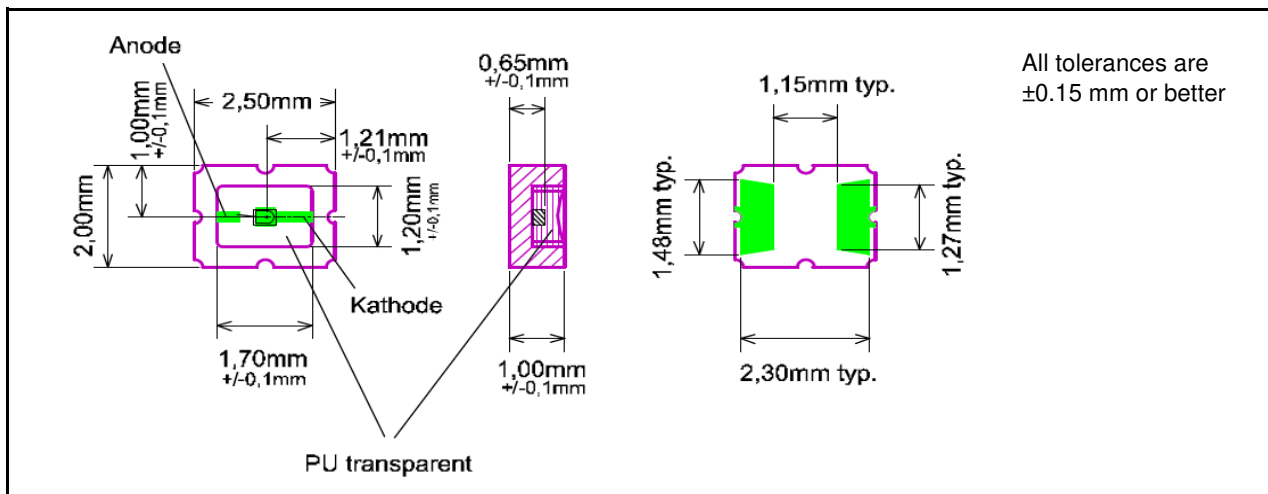


**Data Sheet**

**Red Point Source Emitter**

**EOLS-625-199-50**

Radiation	Type	Case
red	point-source $\varnothing$ 50 $\mu$ m	ceramic SMD 2520 (1008)



**Maximum Ratings**

$T_{amb}$  = 25°C, unless otherwise specified

Parameter	Test conditions	Symbol	Value	Unit
Forward current		$I_F$	5	mA
Reverse voltage	$I_R = 100 \mu A$	$V_R$	5	V
Power dissipation		$P_D$	12	mW
Operating temperature range		$T_{amb}$	-20 to +85	°C
Storage temperature range		$T_{stg}$	-30 to +100	°C
Lead soldering temperature	$t < 5$ s, 3 mm from case	$T_{slg}$	260	°C
Junction temperature		$T_J$	125	°C

**Optical and Electrical Characteristics**

$T_{amb}$  = 25°C, unless otherwise specified

Parameter	Symbol	Conditions	Min	Typ	Max	Unit
Forward voltage	$V_F$	$I_F = 5$ mA		1.9	2.4	V
Reverse current	$I_R$	$V_R = 5$ V			100	$\mu A$
Radiant power	$P_O$	$I_F = 5$ mA	90		250	$\mu W$
Peak wavelength	$\lambda_p$	$I_F = 5$ mA	595	625	655	nm
FWHM	$\Delta\lambda_{0,5}$	$I_F = 5$ mA		15		nm
Viewing angle	$\varphi$	$I_F = 5$ mA		110		deg



We reserve the right to make changes to improve technical design and may do so without further notice. Parameters can vary in different applications. All operating parameters must be validated for each customer application by the customer.

# EPIGAP Optronic GmbH

Koepenicker Str. 325  
D-12555 Berlin  
Fon: +49 (0)30 657637 60  
Fax: +49 (0)30 657637 70  
sales@epigap-optronic.de



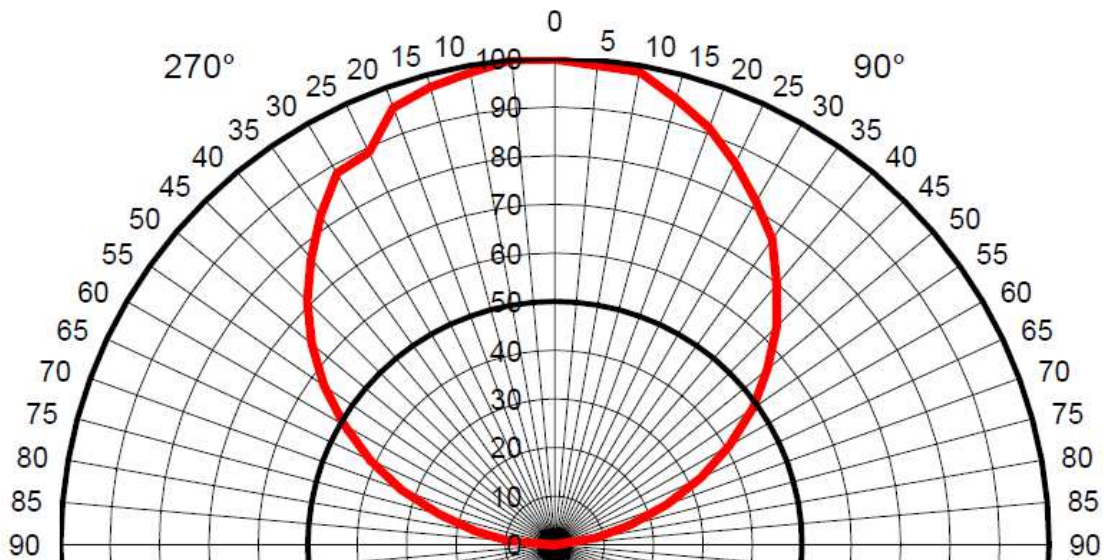
## Data Sheet

page 2 of 3

Red Point Source Emitter

EOLS-625-199-50

Rev. 08, 2020



Radiation pattern



We reserve the right to make changes to improve technical design and may do so without further notice. Parameters can vary in different applications. All operating parameters must be validated for each customer application by the customer.

# EPIGAP Optronik GmbH

Koepenicker Str. 325  
D-12555 Berlin  
Fon: +49 (0)30 657637 60  
Fax: +49 (0)30 657637 70  
sales@epigap-optronic.de

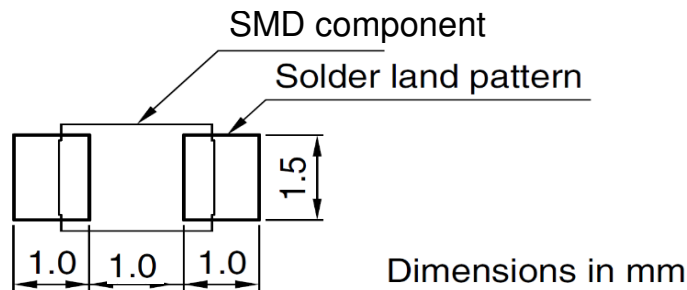


## Data Sheet

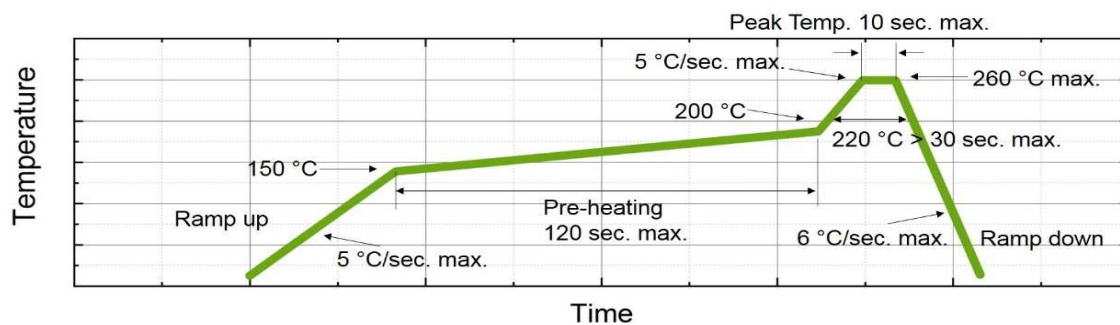
Red Point Source Emitter

EOLS-625-199-50

page 3 of 3  
Rev. 08, 2020



### Recommended solder pad geometry



### Recommended reflow soldering profile

#### Manual soldering:

max power of iron 25 W / 3 s /  
300 °C

Art. No. 133 092



We reserve the right to make changes to improve technical design and may do so without further notice. Parameters can vary in different applications. All operating parameters must be validated for each customer application by the customer.