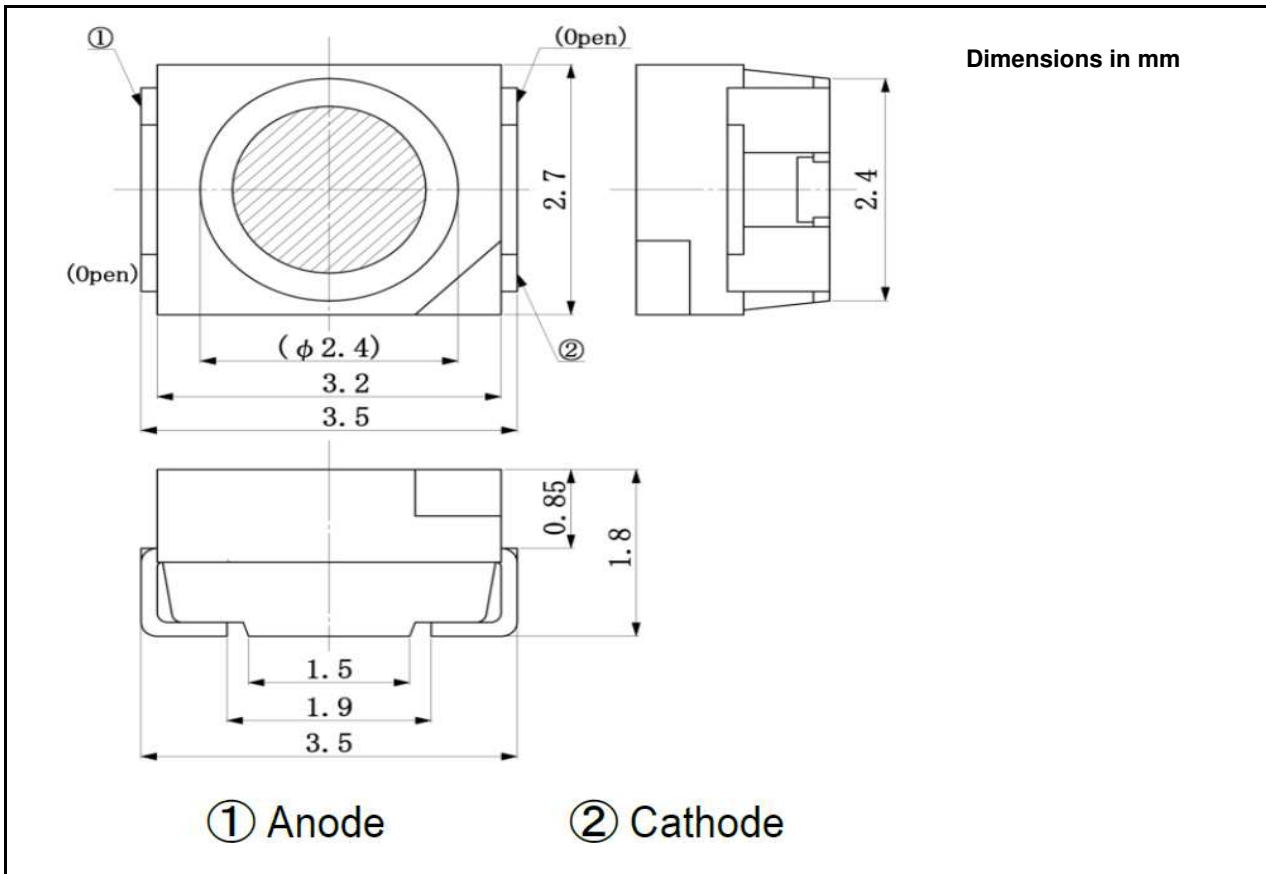


Infrared SMD-LED

EOLS-1300-995

Rev. 02, 2017

Radiation	Type	Case
Infrared	InGaAs/InP, MQW	SMD 3527 (1411), PLCC4



Absolute Maximum Ratings

T_{amb}= 25°C, unless otherwise specified

Parameter	Test Conditions	Symbol	Value	Unit
Peak forward current	t _p ≤ 10 μs, T=10 ms	I _{FP}	500	mA
Continuous forward current		I _F	50	mA
Reverse voltage		V _R	5	V
Operating temperature range		T _{amb}	-20 to +80	°C
Storage temperature range		T _{stg}	-30 to +100	°C
Power dissipation		R _{thJA}	120	mW
Lead soldering temperature	T=5 s, 3 mm from body	T _{sld}	260	°C



We reserve the right to make changes to improve technical design and may do so without further notice. Parameters can vary in different applications. All operating parameters must be validated for each customer application by the customer.

Infrared SMD-LED

EOLS-1300-995

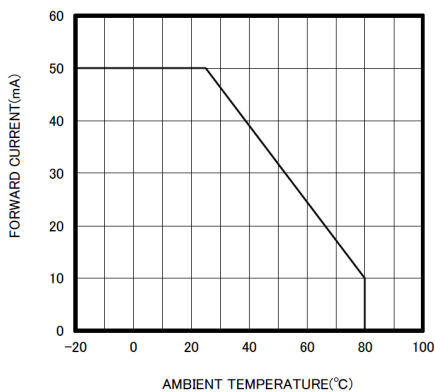
Rev. 02, 2017

Optical and Electrical Characteristics*

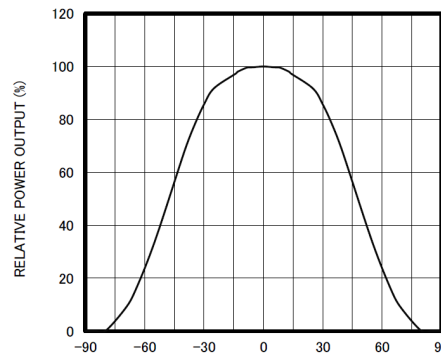
T_{amb}= 25°C, unless otherwise specified

Parameter	Test cond.	Symbol	Min	Typ	Max	Unit
Forward voltage	I _F =20 mA	V _F		0.7	0.95	V
Forward voltage	I _F =50 mA	V _F		0.8	1.1	V
Reverse current	V _R =5 V	I _R			100	µA
Radiant power	I _F =20 mA	Φ _e		1.8		mW
Radiant power	I _F =50 mA	Φ _e		3.5		mW
Peak wavelength	I _F =20 mA	λ _p		1300		nm
FWHM	I _F =20 mA	Δλ _{0.5}		70		nm
Viewing angle	I _F =20 mA	φ		±45		deg
Switching times	I _F =20 mA	t _r , t _f		10		ns

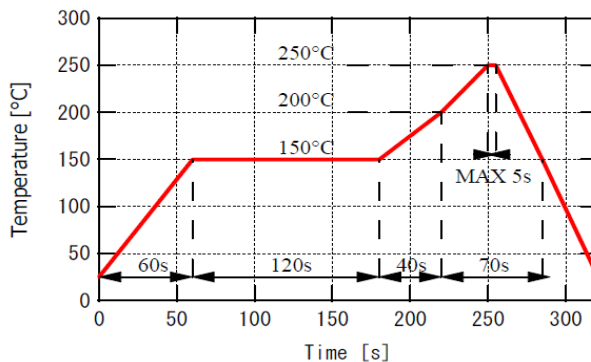
THERMAL DERATING CURVE



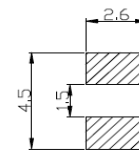
RADIATION PATTERN



Recommended reflow soldering profile



Recommended Land Layout (Unit: mm)



Art. No. 133 126



We reserve the right to make changes to improve technical design and may do so without further notice. Parameters can vary in different applications. All operating parameters must be validated for each customer application by the customer.