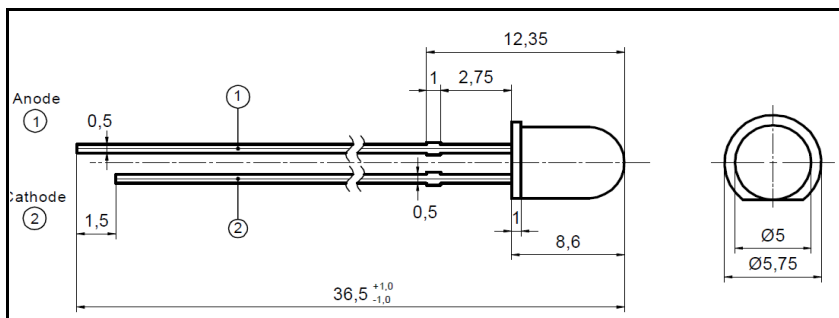


Data sheet

Infrared LED

EOLD-760-524

Radiation	Type	Case
Infrared	AlGaAs/AlGaAs, DDH	5 mm plastic lens

	<p>Description:</p> <p>High-power, high-speed infrared LED in standard 5 mm package, with lens for narrow beam focusing, housing optional with or without standoff leads</p>
	<p>Application:</p> <p>Optical communications, safety equipment, automation</p>

All dimensions in mm

Maximum Ratings

T_{amb}= 25°C, unless otherwise specified

Parameter	Test Conditions	Symbol	Value	Unit
Forward current		I _F	50	mA
Peak forward current	t _p ≤ 50 μs, t _p / T = 1/2	I _{FM}	100	mA
Power dissipation		P _D	100	mW
Operating temperature range		T _{amb}	-20 to +80	°C
Storage temperature range		T _{stg}	-55 to +85	°C
Junction temperature		T _J	100	°C
Lead soldering temperature	t < 5 s, 3 mm from case	T _{slg}	260	°C

Optical and Electrical Characteristics

T_{amb}= 25°C, unless otherwise specified

Parameter	Symbol	Conditions	Min	Typ	Max	Unit
Forward voltage	V _F	I _F = 20 mA		1.7	2	V
Forward voltage	V _F	I _F = 50 mA		2		V
Reverse voltage	V _R	I _R = 100 μA	5			V
Radiant power	Φ _e	I _F = 20 mA	4	6		mW
Radiant power	Φ _e	I _F = 50 mA		14		mW
Radiant intensity	I _e	I _F = 20 mA	24	30		mW/sr
Radiant intensity	I _e	I _F = 50 mA		70		mW/sr
Peak wavelength	λ _p	I _F = 20 mA	750	760	775	nm
FWHM	Δλ _{0,5}	I _F = 20 mA		30		nm
Temp. coefficient of λ	Δλ/ΔT	I _F = 20 mA		+0.22		nm/K
Current tuning coeff.	Δλ/ΔI			+0.126		nm/mA
Viewing angle	φ	I _F = 20 mA		20		deg.
Switching time	t _r , t _f	I _F = 20 mA		35		ns



EPIGAP Optronic GmbH

Koepenicker Str. 325b
D-12555 Berlin
Fon: +49 (0)30 657637 60
Fax: +49 (0)30 657637 70
sales@epigap-optronic.de



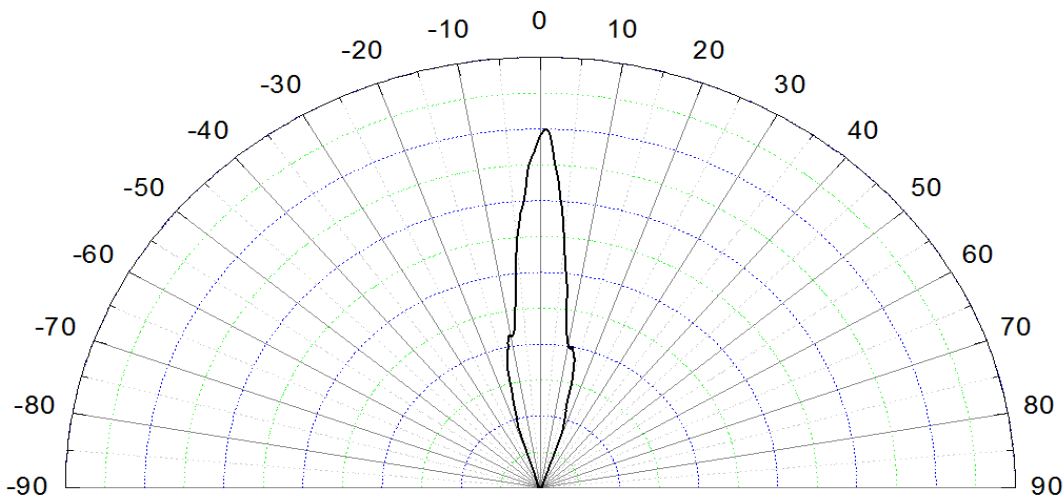
Data sheet

Infrared LED

EOLD-760-524

Page 2 of 2

Rev. 05, 2017



Typical radiation pattern

Art. No. 430 049



We reserve the right to make changes to improve technical design and may do so without further notice. Parameters can vary in different applications. All operating parameters must be validated for each customer application by the customer.