

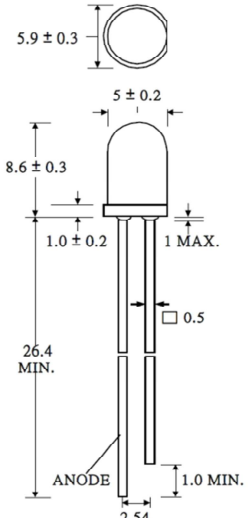


Data sheet

Blue-green LED

EOLD-505-534

Rev. 03, 2017

Radiation	Type	Case
Blue-green	InGaN	5 mm plastic lens

Description:	
 <p>All dimensions in mm</p>	<ul style="list-style-type: none"> - Super bright LED - Emitted color: blue-green - High luminous intensity - Without stand-off <div style="display: flex; justify-content: space-around; align-items: center;">   </div>

Maximum Ratings

T_{amb}= 25°C, unless otherwise specified

Parameter	Test Conditions	Symbol	Value	Unit
Power dissipation		P _D	114	mW
Peak forward current	Duty cycle 1/10 @ 1 kHz	I _{FP}	100	mA
Continuous forward current		I _F	30	mA
Reverse voltage		V _R	5	V
Operating temperature range		T _{amb}	-20 to +85	°C
Storage temperature range		T _{stg}	-20 to +85	°C
Lead soldering temperature	t = 3 s, 1.6 mm from case	T _{slg}	260	°C

Optical and Electrical Characteristics

T_{amb}= 25°C, unless otherwise specified

Parameter	Symbol	Conditions	Min	Typ	Max	Unit
Forward voltage	V _F	I _F = 20 mA		3.2	3.8	V
Reverse current	I _R	V _R =5 V			10	µA
Peak wavelength	λ _p	I _F = 20 mA		507		nm
Dominant wavelength	λ _D	I _F = 20 mA		505		nm
FWHM	Δλ _{0.5}	I _F = 20 mA		30		nm
Viewing angle	φ	I _F = 20 mA		30		deg.
Luminous intensity	I _V	I _F = 20 mA	5600	8500		mcd

Art. No. 132 010