

## Features

- \* Uni-directional, bi-directional or ring network topology
- \* System capacity up to 8 channels and 80Gb/s
- \* Cost-effective and compact
- \* Low power consumption
- \* RS-232 and Ethernet interface for local and remote supervision
- \* Redundant dual power supply

## Applications

- \* Local area networks
- \* Access / Metropolitan area networks

## Description

**GIP Technology** BRE WDM Edge Unit for Trunk/Trunk Application (TLM-BRE-00-00-U) combines Wavelength Converter with Wavelength Division Multiplexer (WDM) module. They are mainly designed for enterprises, Metro and Access service providers who require a cost-effective and flexible module to increase utilization or provide new services.



The TLM-BRE-00-00-U support the configuration of uni-directional, bi-directional or ring network topology. It can not only combine specified ITU-grid CWDM/DWDM signals onto one fiber, but also can amplify signals and extend their transmission distance up intermediate or long reach at G.652 SMF. Customers can use it to expand the density and reach of their network applications.

The compact stand-alone type can be embedded in the EIA 19 and 23-inch cabinet rack. In addition, these units also provide a user-friendly status monitoring via an LCD display, LED indicators, and various communication interfaces (RS232 and SNMP).



### **GIP Technology Corporation**

6F., No. 112, Xinmin St., Zhonghe Dist.,  
New Taipei City 235, Taiwan (R.O.C.)  
T:+886-2-8226-7855 [www.giptek.com](http://www.giptek.com)  
F:+886-2-8226-7955 [sales@giptek.com](mailto:sales@giptek.com)

## Specifications

Optical Information		Unit	Description		
Route configuration			Single	Single	Dual
Topology application			Uni-directional	Bi-directional	Ring
Operational channel wavelength*1		nm	ITU-grid, DWDM or CWDM		
Channel number			8	8	8
Supported data rate		bps	155 ~ 1250M 2.5G, 10G	155 ~ 1250M 2.5G, 10G	155 ~ 1250M 10G
Mux/Demux loss		Max. dB	4		
Fiber type			Single mode		
Connector			LC/PC		
Electrical Information					
Transceiver type			SFP / SFP+		
Power supply		Volt	-48VDC or 100~240 VAC		
Fan		pcs	2		
Environmental Information					
Ambient temperature		°C	0 ~ 50		
Storage temperature		°C	-20 ~ 80		
Relative humidity (non-condense)		%	5 ~ 85 (operating)		
Outline Information					
Dimensions			19" and 23" 2-RU rack		

\*1. Comply with ITU-grid

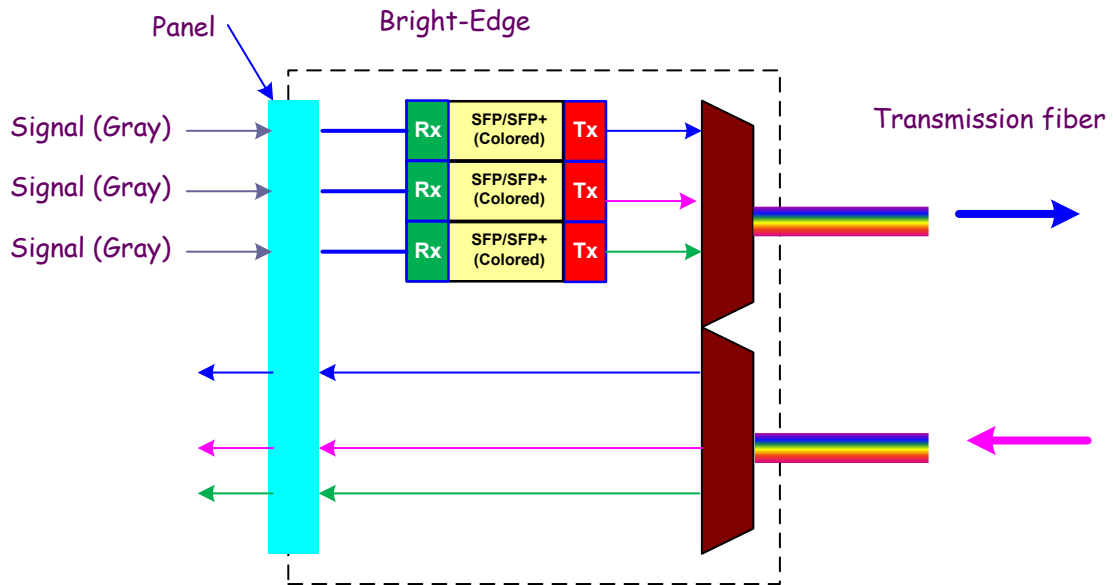
## Ordering guide of Accessories

Ordering No.	Specification
SPC-24N47-120-01	155M ~ 1.25G, 1470 nm, 28dB, SFP
SPC-24N49-120-01	155M ~ 1.25G, 1490 nm, 28dB, SFP
SPC-24N51-120-01	155M ~ 1.25G, 1510 nm, 28dB, SFP
SPC-24N53-120-01	155M ~ 1.25G, 1530 nm, 28dB, SFP
SPC-24N55-120-01	155M ~ 1.25G, 1550 nm, 28dB, SFP
PPC-192N57-080-01	10G, 1570 nm, 23dB, SFP+
PPC-192N59-080-01	10G, 1590 nm, 23dB, SFP+
PPC-192N61-080-01	10G, 1610 nm, 23dB, SFP+

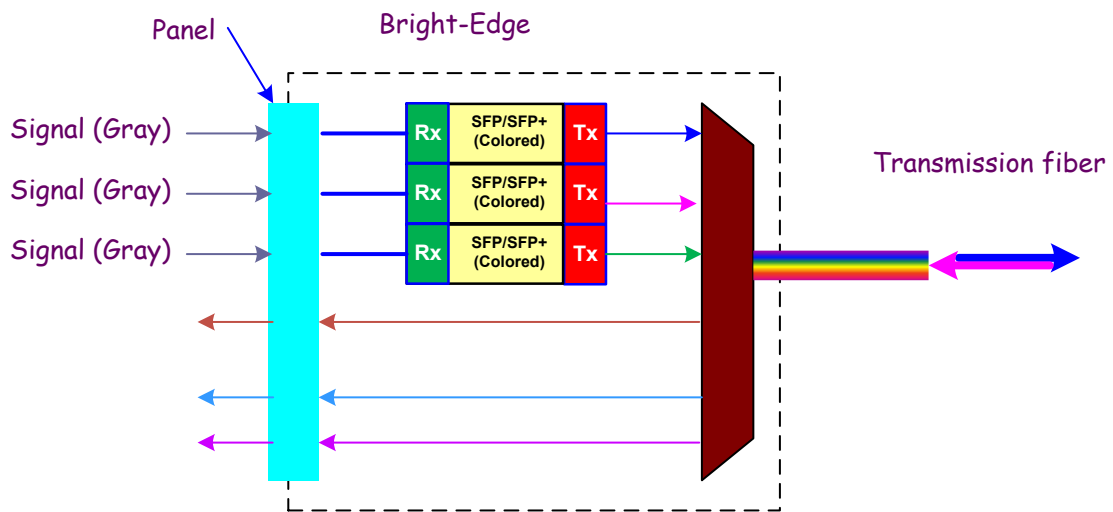
\* Others SFP / SFP+ are also available

## Topology Application

### Uni-Directional Configuration



### Bi-Directional Configuration



**Ring Configuration**

